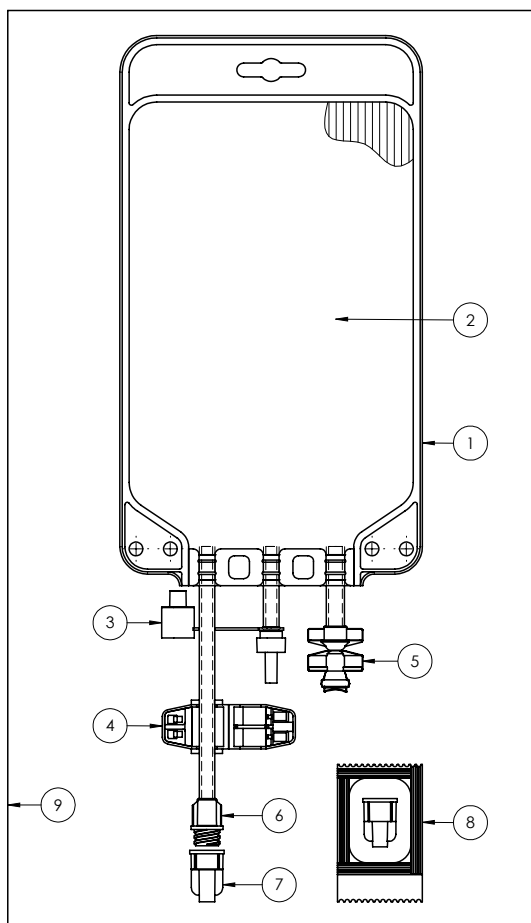


## TPN EVA Bag with female connector



Cod: UK0001BP - 125 ML 100 Pcs/Box

Cod: UK0002BP - 250 ML 100 Pcs/Box

Cod: UK0003BP - 500 ML 100 Pcs/Box

Cod: UK0004BP - 1000 ML 70 Pcs/Box



DEHP FREE

CLASS IIA

1. TPN EVA BAG (EVA TUBULAR 0,35mm WITH INTERNAL RIBS)
2. BLACK HOT PRINT
3. INFUSION PORT (ABS)
4. INVIOLENT CLAMP (PP)
5. SPIKE PORT (PVC DEHP free)
6. FEMALE CONNECTOR (ABS)
7. MALE VENTED CAP (ABS)
8. MALE CAP BLISTER PACKAGING (ABS)
9. PAPER/PE ENVELOPE

### INTENDED USE

Container for nutrition solutions prior and during administration to a patient.

### PACKING

Single package product in a Paper/PE envelope.  
The product is supplied sterile and non pyrogenic.

### CONTROLS

Test to check sterilization and to detect pyrogenic substances, control to check flow and seal.  
Chemical control of components in accordance with the European Pharmacopoeia (Current edition).

### STERILIZATION

Product sterilized with ethylene oxide (E.O.). Validity: 5 years from sterilization date.

### STORAGE

Normal storage procedures.

### DISPOSAL

Please follow the current laws on hospital waste disposal.

CE 0051

REV	DATE	DESCRIPTION	ISSUED BY	APPROVED BY	QA APPROVED
00	27/05/2020	Emission	L. Rossi	M. Mancarti	G. Galli
01	14/07/2021	Changed mould and tubes configurations (Change #10/2021)	L. Rossi	M. Mancarti	G. Galli