

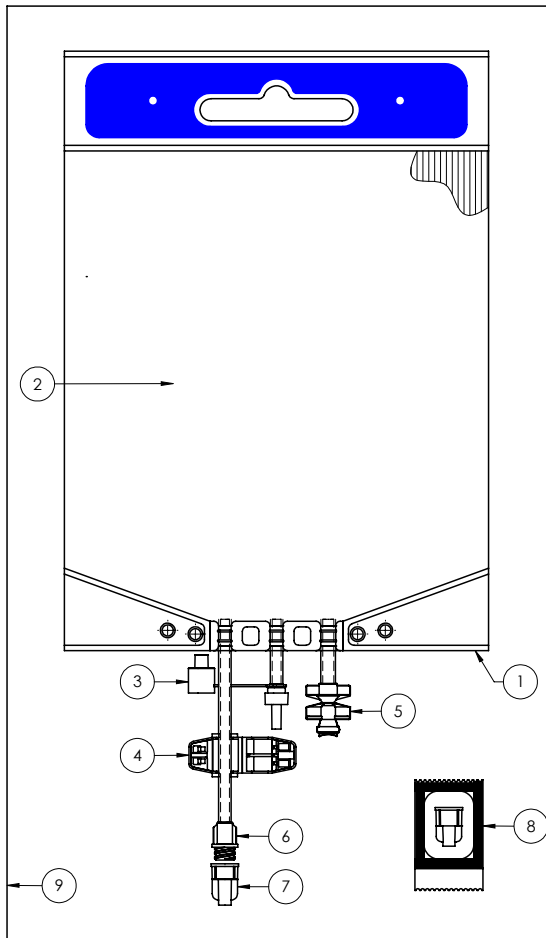
TPN Multilayer Bag with female connector

Cod: UK0013BP - 2000 ML 50 Pcs/Box

Cod: UK0014BP - 3000 ML 50 Pcs/Box

Cod: UK0015BP - 4000 ML 40 Pcs/Box

Cod: UK0016BP - 5000 ML 40 Pcs/Box



DEHP FREE

CLASS IIA

1. TPN MULTILAYER BAG WITH INTERNAL HANDLE (EVA MULTILAYER TUBULAR 0,40mm WITH INTERNAL RIBS)
2. BLACK HOT PRINT
3. INFUSION PORT (ABS)
4. INVIOLENT CLAMP (PP)
5. SPIKE PORT (PVC DEHP free)
6. FEMALE CONNECTOR (ABS)
7. MALE VENTED CAP (ABS)
8. MALE CAP BLISTER PACKAGING (ABS)
9. PAPER/PE ENVELOPE

INTENDED USE

Container for nutrition solutions prior and during administration to a patient. High protective barrier O₂, CO₂ and UV.

PACKING

Single package product in a Paper/PE envelope.
The product is supplied sterile and non pyrogenic.

CONTROLS

Test to check sterilization and to detect pyrogenic substances, control to check flow and seal.
Chemical control of components in accordance with the European Pharmacopoeia (Current edition).

STERILIZATION

Product sterilized with ethylene oxide (E.O.). Validity: 5 years from sterilization date.

STORAGE

Normal storage procedures.

DISPOSAL

Please follow the current laws on hospital waste disposal.

CE 0051

REV	DATE	DESCRIPTION	ISSUED BY	APPROVED BY	QA APPROVED
00	29/05/2020	Emission	L. Rossi	M. Mancarti	G. Galli
01	30/03/2021	Changed mould	L. Rossi	M. Mancarti	G. Galli