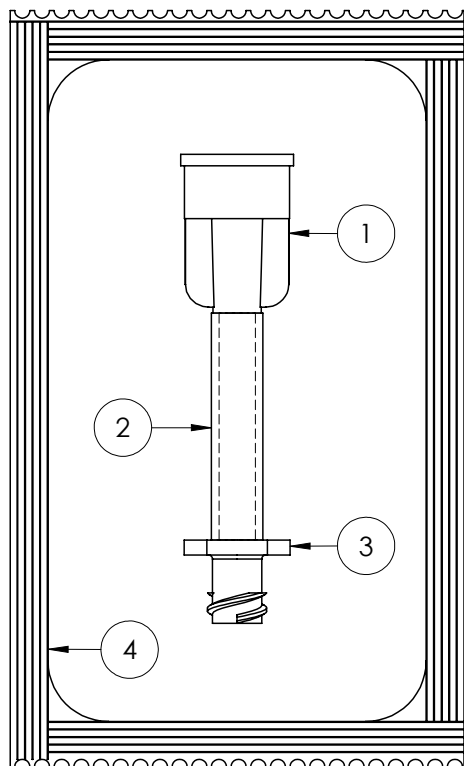


Adaptor FLL to large male bore



Cod: UK0001AR - 200 Pcs/Box



DEHP FREE

CLASS IIA

1. MALE CONNECTOR (ABS)
2. PVC DEHP free TUBE Ø4.8x6.8mm - 30mm
3. WHITE FEMALE LUER LOCK (ABS)
4. PAPER/PE BLISTER

INTENDED USE

Connector for infusion bag.

PACKING

Single package product in a Paper/PE blister.
The product is supplied sterile and non pyrogenic.

CONTROLS

Test to check sterilization and to detect pyrogenic substances, control to check flow and seal.
Chemical control of components in accordance with the European Pharmacopoeia (Current edition).

STERILIZATION

Product sterilized with ethylene oxide (E.O.). Validity: 5 years from sterilization date.

STORAGE

Normal storage procedures.

DISPOSAL

Please follow the current laws on hospital waste disposal.

CE 0051

REV	DATE	DESCRIPTION	ISSUED BY	APPROVED BY	QA APPROVED
00	31/01/2022	Emission	L. Rossi	M. Mancarti	G. Galli
00	31/01/2022	Emission	L. Rossi	M. Mancarti	G. Galli